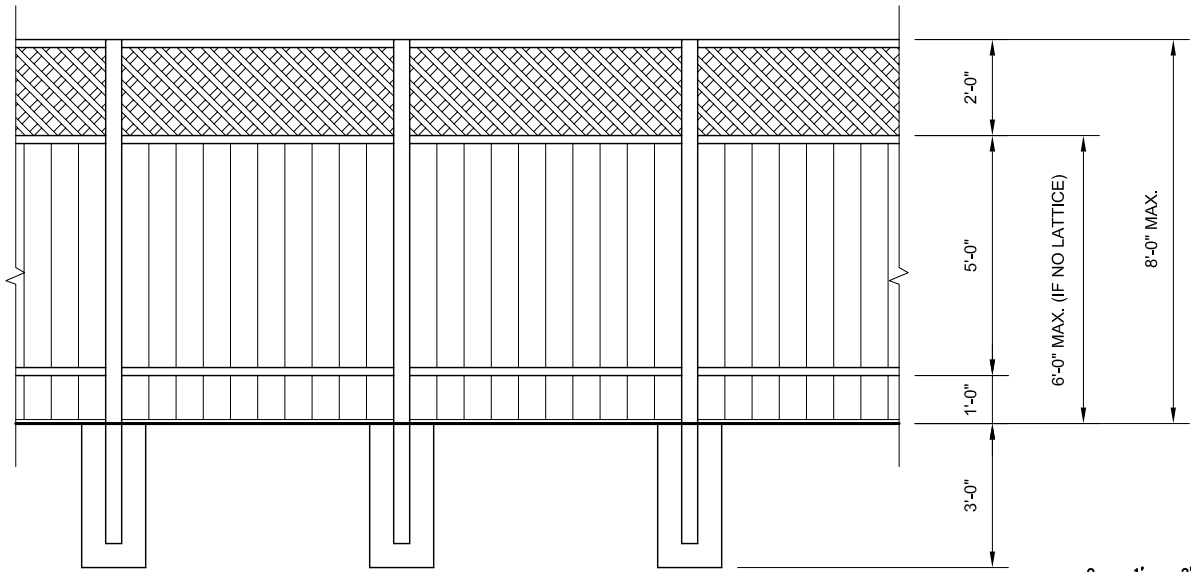


DEPARTMENT OF COMMUNITY DEVELOPMENT - BUILDING DIVISION  
**RESIDENTIAL FENCE WITH LATTICE DETAIL**



THIS DRAWING DEPICTS MINIMUM CODE REQUIREMENTS PER CBC 2007. INFORMATION IS FOR REFERENCE ONLY AND IS NOT A SUBSTITUTE FOR ACCURATE DRAWINGS PREPARED FOR EACH PROPOSED CONSTRUCTION PROJECT.



ELEVATION

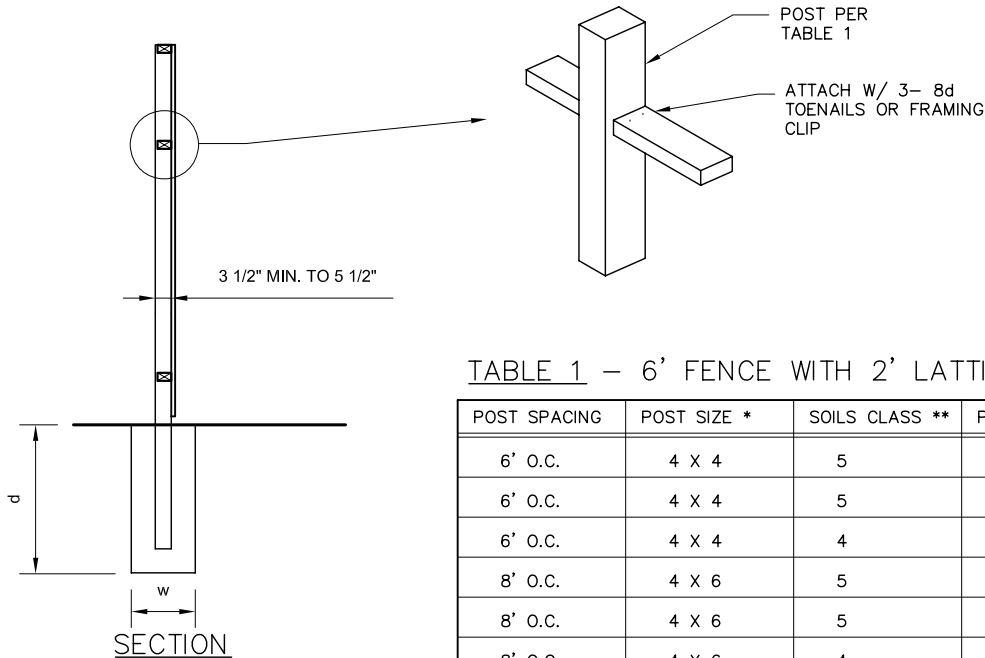
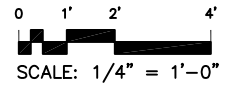


TABLE 1 – 6' FENCE WITH 2' LATTICE ON TOP

POST SPACING	POST SIZE *	SOILS CLASS **	PIER DIA. (w)	PIER DEPTH (d)
6' O.C.	4 X 4	5	1'	2'-6"
6' O.C.	4 X 4	5	1'-6"	2'
6' O.C.	4 X 4	4	1'	2'
8' O.C.	4 X 6	5	1'	2'-9"
8' O.C.	4 X 6	5	1'-6"	2'-4"
8' O.C.	4 X 6	4	1'	2'-6"
8' O.C.	4 X 6	4	1'-6"	2'

\* RDWD CONSTR OR BETTER, OR PTDF

\*\* SOIL CLASS BASED ON 2007 CBC TABLE 1804.2

Provide consistent Title Block on all sheets. Leave margin on all sides.

This scale is for example only. Use 1/2" or 3/4" = 1'-0". Typical min. sheet size is 11" x 17"

NAME, ADDRESS AND PHONE NO. OF DESIGNER  
 XXX XXX XXX XXX  
 XXX XXX XXX XXX

WET SIGNATURE OF DESIGNER ON EACH SHEET  
 (AND PROFESSIONAL STAMP IF APPLICABLE)

E:\Bldg\DLV\ACAD\Details 2\010-FENCE-1.DWG, 04/16/2008 4:23:34 PM

**EXAMPLE RESIDENCE**

1234 MAIN ST.  
 SANTA ROSA, CA 95400  
 APN # 000-000-000

**RESIDENTIAL FENCE**  
 SAMPLE DRAWING

SCALE: 1/4" = 1'-0"  
 DATE: APRIL 16, 2008

SHEET NO.

**FN-2**