

The biggest single cause of high water bills is a leaking toilet.

It can waste hundreds of gallons of water per day!

Dripping faucets and leaking toilets are more than a nuisance. They waste water and cost you **Money!** Research shows that a leaky toilet can waste 200 gallons of water per day, which could translate into \$41.28 per month on your water and wastewater bill.

The City of Santa Rosa knows you are concerned about the cost of your utility bill as well as water conservation. One of the best things you can do is find and fix any household leaks you may have.

It's easy!

Start with the Toilet

Toilets are the most common source of leaks. Here's how to see if yours is leaking.

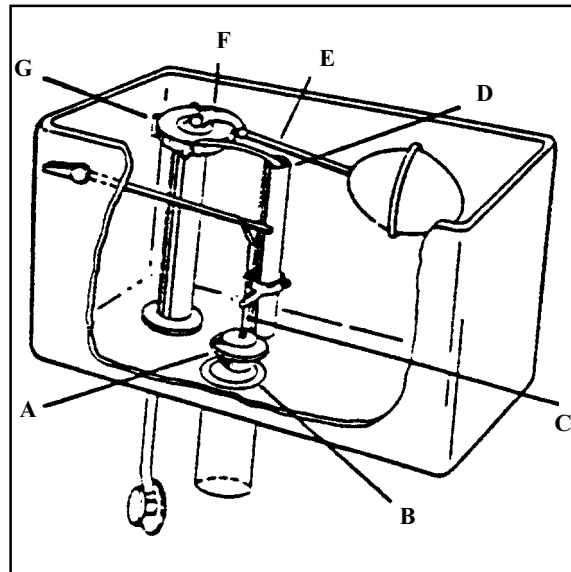
First:

- **Put a dye tablet or several drops of food coloring in the toilet tank. Wait 15 minutes. Do not flush the toilet during this time. If colored water appears in the toilet bowl, you have a leak from the tank into the bowl!**

- Check the flush valve ball (A). It may be worn and need replacing.
- If the flush valve ball isn't worn, check to see if it fits into the flush valve (B) snugly. The valve may need cleaning. Then, if the ball still won't seat properly, straighten the guidewire (C) and make sure it's not catching on anything.

Second:

- **Sprinkle a small amount of talcum powder on top of the water in the tank. If this powder moves toward the overflow tube (D), you probably have an overflow leak.**
- Gently bend the float arm (E) down to shut off the valve before water spills into the tube, or replace the float valve (F).
- If your toilet won't shut off, or whistles or whines after adjusting the float ball, you may need a new ballcock assembly (G).

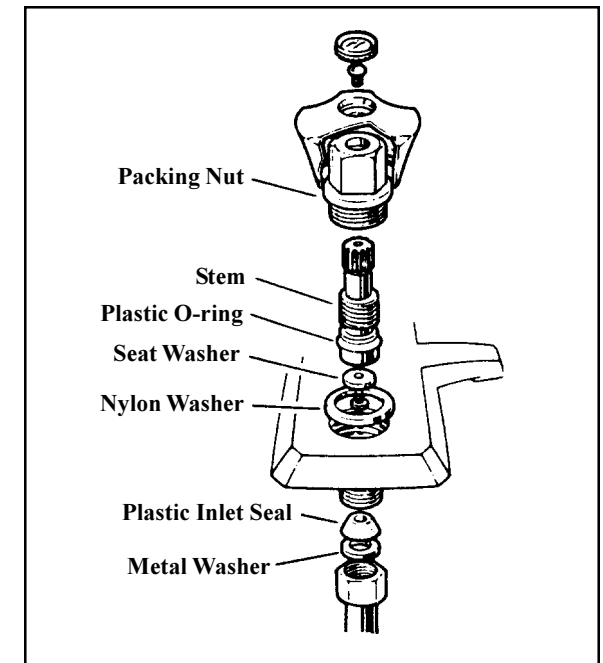


Common Toilet Tank Assembly

Fixing Faucets

The most common cause of a leaky faucet is a worn washer. It can waste a lot of water...even a small leak can waste 7 gallons per day. Here's how to fix a leaky faucet.

- Turn off water supply to faucet.
- Remove decorative cover and handle.
- Remove collar or locknut.
- Take out stem.
- Change worn washer. Be sure replacement washer is the correct size and type.
- Reverse the process to reassemble faucet.
- Turn on water supply.



Common Faucet Assembly



Recycled & Recyclable

To reduce water use...

- ◆ Test all toilets for leaks. Repair if necessary.
- ◆ Inspect all faucets, showers, and hose bibs for leaks.
- ◆ Install water-saving showerheads and faucet aerators.
- ◆ Upgrade existing toilets to Ultra-Low Flush toilets which use 1.6 gallons per flush or less.



Water Conservation Program

543-3985