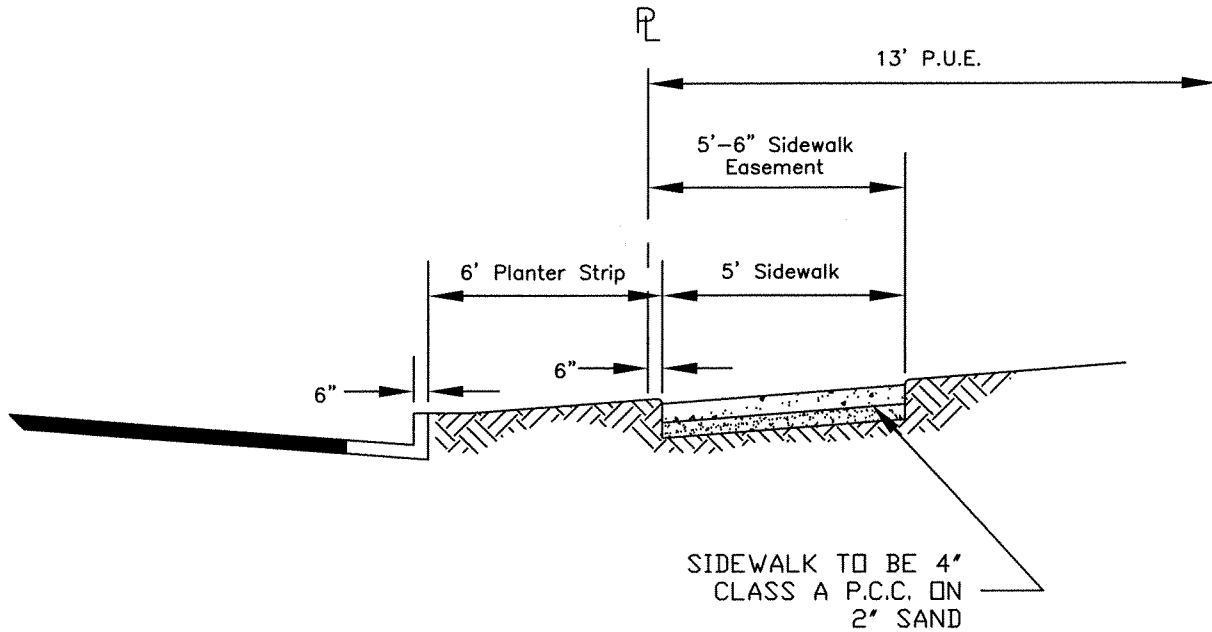


SIDEWALK AND PLANTER STRIP DIMENSIONS FOR LANES AND NEIGHBORHOOD STREETS

NOTES:

1. DESIGN SHALL CONFORM TO THESE REQUIREMENTS EXCEPT AS OTHERWISE APPROVED BY THE CITY ENGINEER.
2. MEANDERING SIDEWALKS, CONTIGUOUS SIDEWALKS, AND SIDEWALKS ON ONE SIDE OF HILLSIDE STREETS TO BE REVIEWED ON A CASE-BY-CASE BASIS PER CITY ENGINEER OR PLANNING COMMISSION.
3. SCORING PATTERN SHOULD MATCH ADJOINING SIDEWALKS.

CITY OF SANTA ROSA		
SIDEWALK AND PLANTER DIMENSIONS FOR LANES AND NEIGHBORHOOD STREETS		
Scale: NONE	Date: JAN 2004	
DWN. SCA CHK.	APPROVED <i>Al Calberg</i>	FILE NO. STD.- 230A

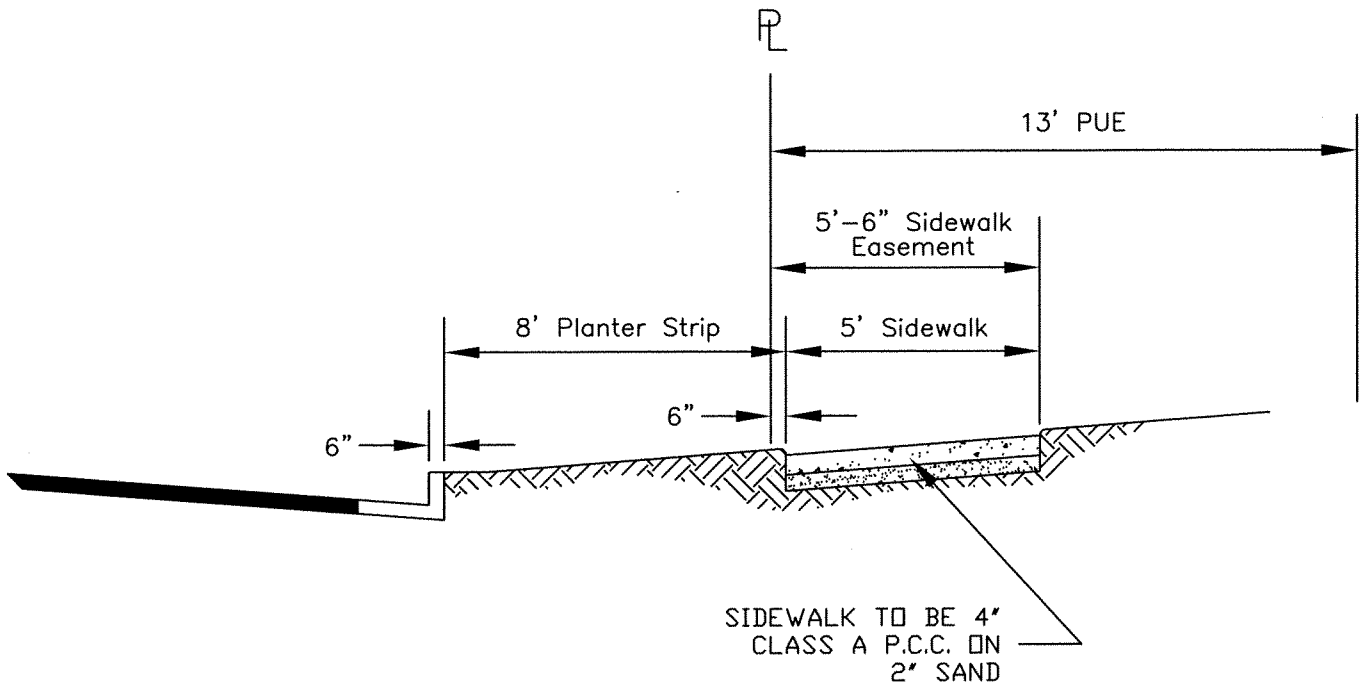


SIDEWALK AND PLANTER STRIP DIMENSIONS FOR MINOR STREETS

NOTES:

1. DESIGN SHALL CONFORM TO THESE REQUIREMENTS EXCEPT AS OTHERWISE APPROVED BY THE CITY ENGINEER.
2. MEANDERING SIDEWALKS, CONTIGUOUS SIDEWALKS, AND SIDEWALKS ON ONE SIDE OF HILLSIDE STREETS TO BE REVIEWED ON A CASE-BY-CASE BASIS PER CITY ENGINEER OR PLANNING COMMISSION.
3. SCORING PATTERN SHOULD MATCH ADJOINING SIDEWALKS.

CITY OF SANTA ROSA	
SIDEWALK AND PLANTER DIMENSIONS FOR MINOR STREETS	
Scale: NONE	Date: JAN 2004
DWN. SCA CHK.	APPROVED <i>M. Cabrera</i> FILE NO. STD.- 230B

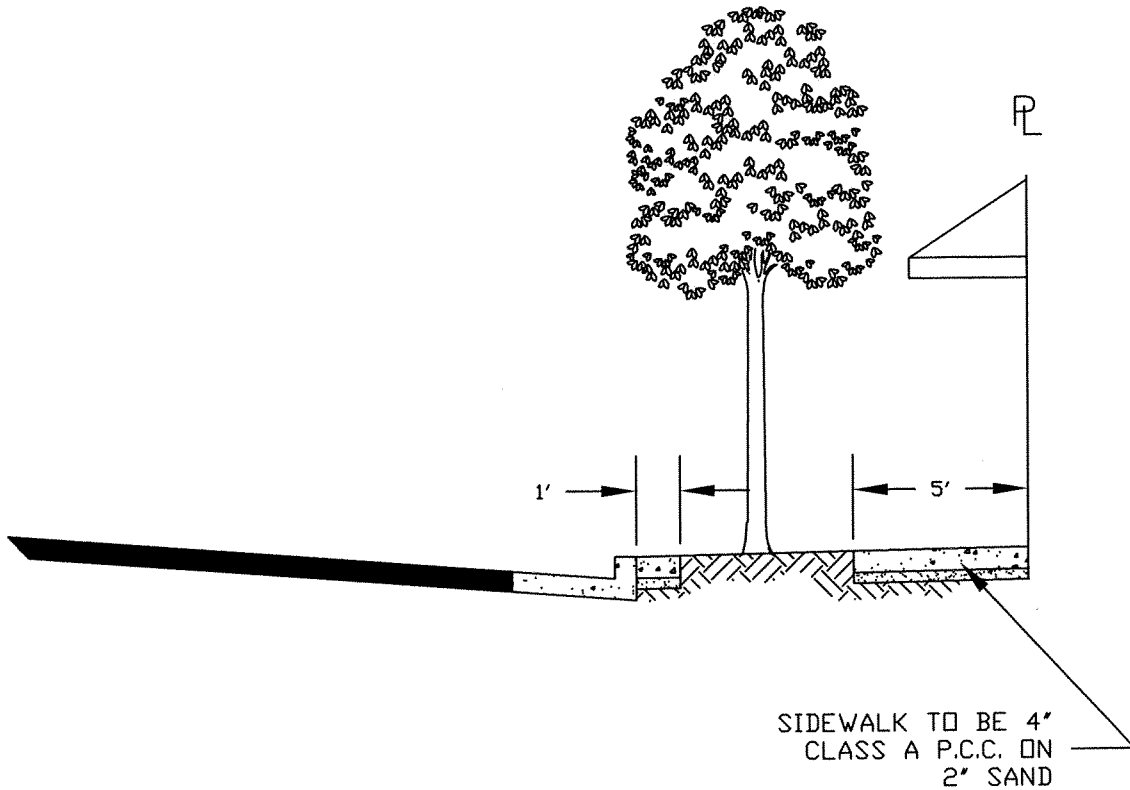


SIDEWALK AND PLANTER STRIP DIMENSIONS FOR AVENUES

NOTES:

1. DESIGN SHALL CONFORM TO THESE REQUIREMENTS EXCEPT AS OTHERWISE APPROVED BY THE CITY ENGINEER.
2. MEANDERING SIDEWALKS, CONTIGUOUS SIDEWALKS, AND SIDEWALKS ON ONE SIDE OF HILLSIDE STREETS TO BE REVIEWED ON A CASE-BY-CASE BASIS PER CITY ENGINEER OR PLANNING COMMISSION.
3. SCORING PATTERN SHOULD MATCH ADJOINING SIDEWALKS.

CITY OF SANTA ROSA	
SIDEWALK AND PLANTER DIMENSIONS FOR AVENUES	
Scale: NONE	Date: JAN 2004
DWN. SCA CHK.	APPROVED <i>M. Cabrera</i>
FILE NO. STD.- 230C	

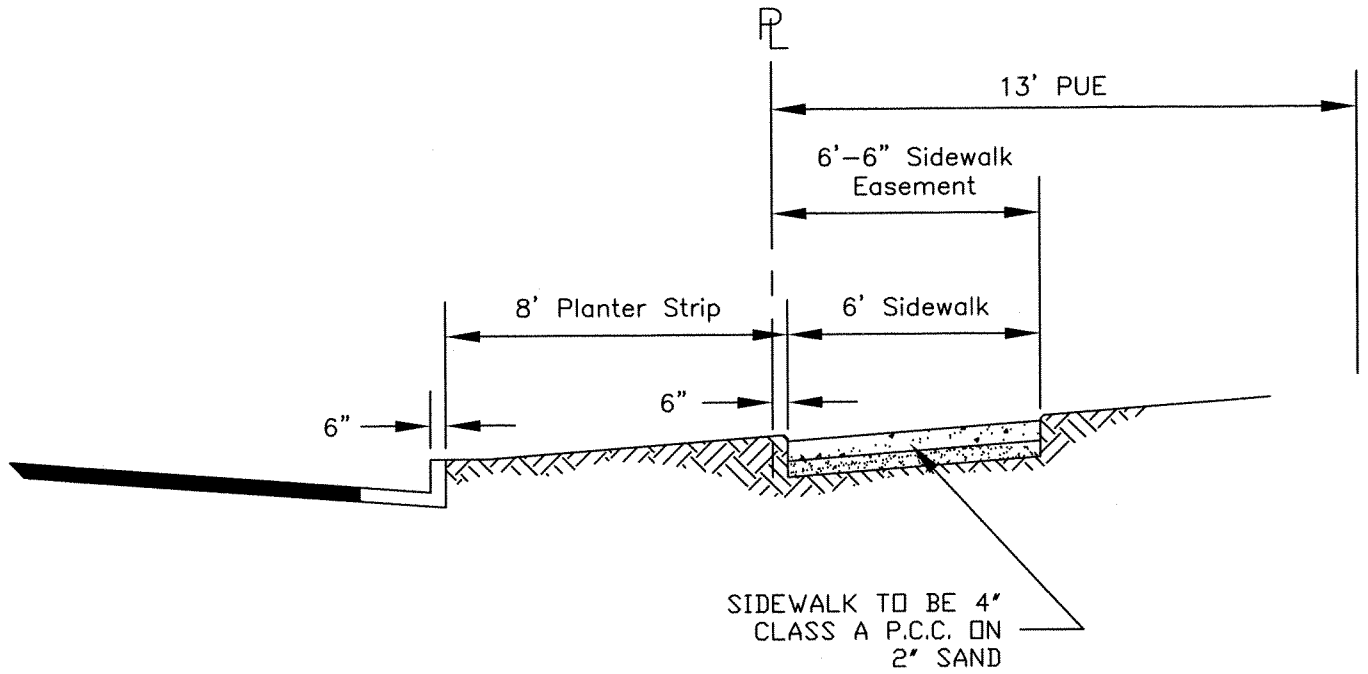


SIDEWALK AND PLANTER STRIP DIMENSIONS FOR FOR MAIN STREETS

NOTES:

1. DESIGN SHALL CONFORM TO THESE REQUIREMENTS EXCEPT AS OTHERWISE APPROVED BY THE CITY ENGINEER.
2. MEANDERING SIDEWALKS, CONTIGUOUS SIDEWALKS, AND SIDEWALKS ON ONE SIDE OF HILLSIDE STREETS TO BE REVIEWED ON A CASE-BY-CASE BASIS PER CITY ENGINEER OR PLANNING COMMISSION.
3. SCORING PATTERN SHOULD MATCH ADJOINING SIDEWALKS.
4. TREE WELLS ARE MINIMUM 4' x 4'.

CITY OF SANTA ROSA	
SIDEWALK AND PLANTER DIMENSIONS FOR MAIN STREETS	
Scale: NONE	Date: JAN 2004
DWN. SCA CHK.	<div style="display: flex; justify-content: space-between;"> <div style="text-align: center;"> <small>APPROVED</small> </div> <div style="text-align: right;"> <small>FILE NO.</small> STD.- 230D </div> </div>

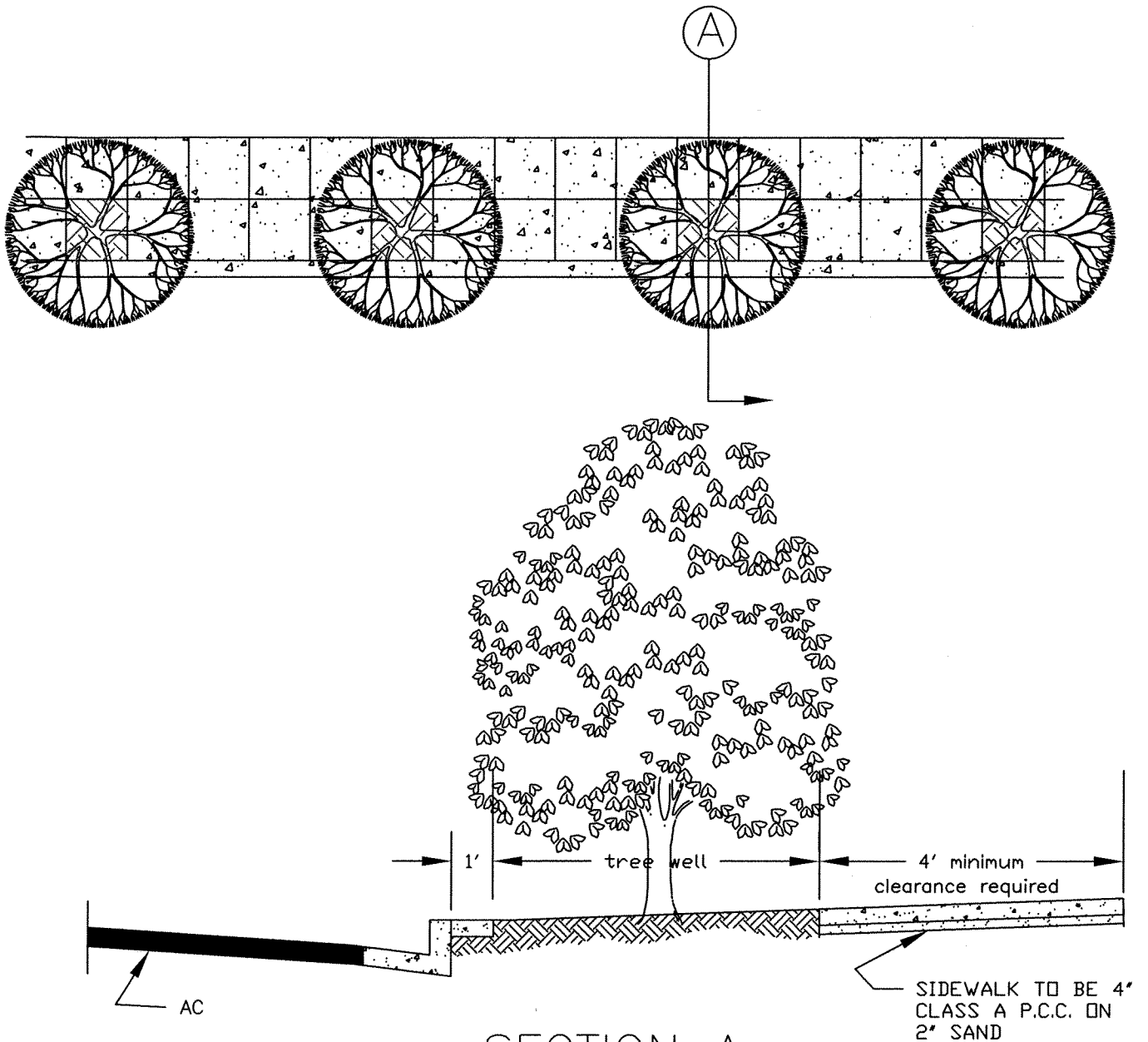


SIDEWALK AND PLANTER STRIP DIMENSIONS FOR BOULEVARDS & PARKWAYS

NOTES:

1. DESIGN SHALL CONFORM TO THESE REQUIREMENTS EXCEPT AS OTHERWISE APPROVED BY THE CITY ENGINEER.
2. MEANDERING SIDEWALKS, CONTIGUOUS SIDEWALKS, AND SIDEWALKS ON ONE SIDE OF HILLSIDE STREETS TO BE REVIEWED ON A CASE-BY-CASE BASIS PER CITY ENGINEER OR PLANNING COMMISSION.
3. SCORING PATTERN SHOULD MATCH ADJOINING SIDEWALKS.

CITY OF SANTA ROSA	
SIDEWALK AND PLANTER DIMENSIONS FOR BOULEVARDS & PARKWAYS	
Scale: NONE	Date: JAN 2004
DWN. SCA CHK.	APPROVED
FILE NO. STD.- 230E	

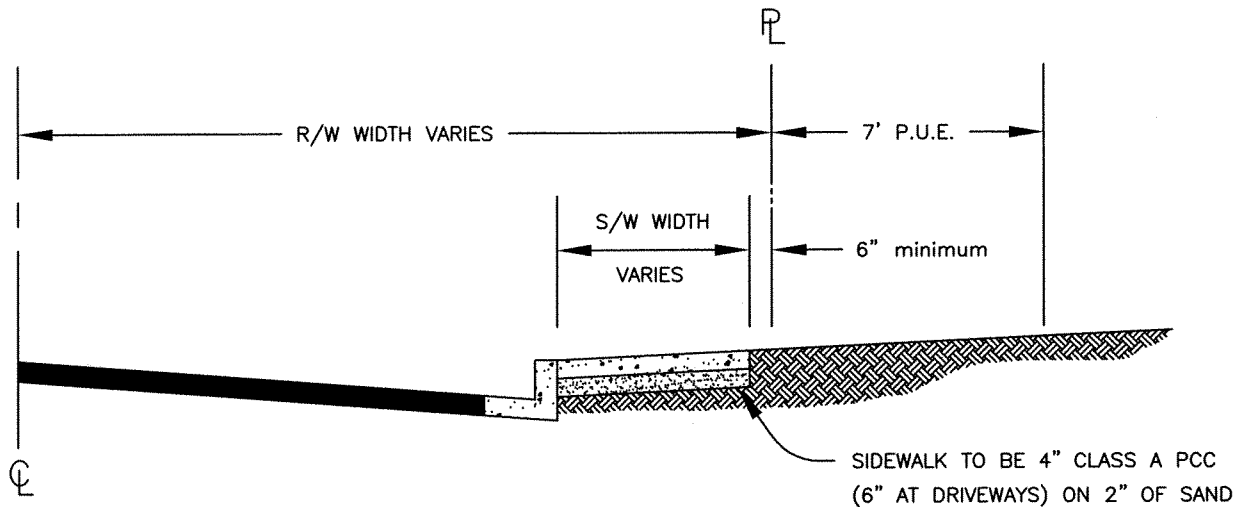


SECTION A

1. Street tree planting shall be in accordance with City standard.
2. Tree wells are 4 ft. by 4 ft. (min.) and are 1 ft. from the back of curb.
3. Weakened planes, score marks and expansion joints shall be per standard 235 or may be in a 4 ft. by 4 ft. pattern as shown.
4. Street tree selections shall comply with City Street Tree List.

CITY OF SANTA ROSA	
SIDEWALK WITH TREE WELLS	
Scale: NONE	Date: JAN 2004
DWN. SCA CHK.	APPROVED <i>Al Cabrera</i>
	FILE NO. STD.- 230F

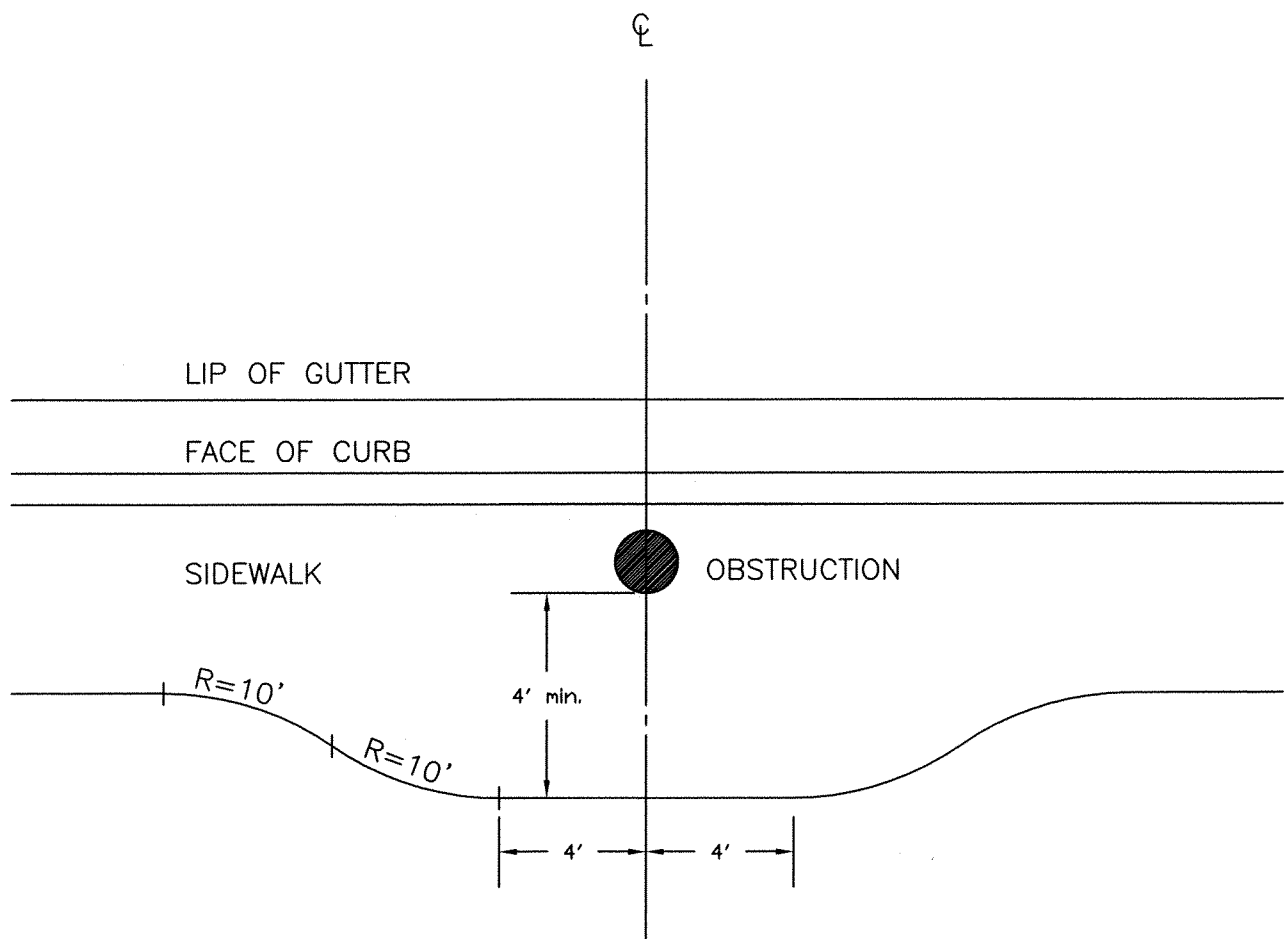
RIGHT- OF WAY FOR CONTIGUOUS SIDEWALKS



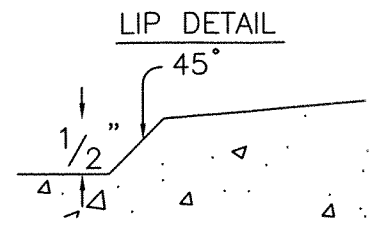
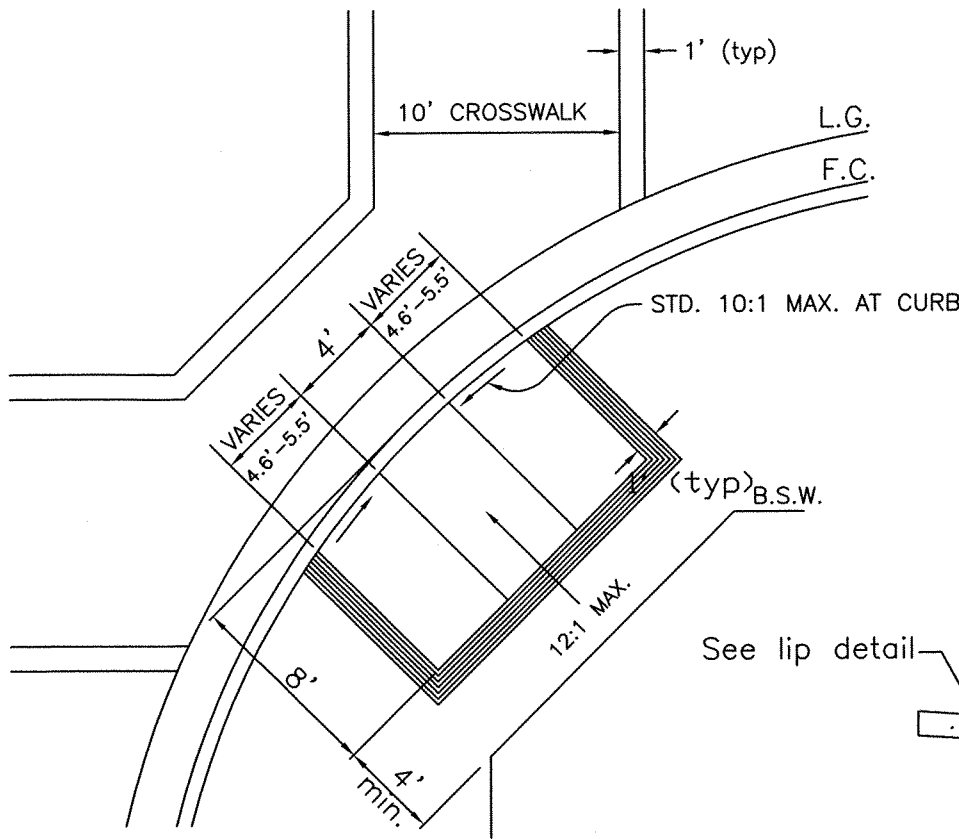
NOTES:

1. Right-of-way and sidewalk widths vary dependent upon street classifications (see Section IV, Street Designs, A. and STDs- 200 A-H), but right-of-way must extend at least 6" beyond sidewalk. Sidewalk behind drive approaches may be covered by combining a sidewalk easement with the Public Utilities Easement (PUE) or by extending the right-of-way.
2. Use of contiguous sidewalk requires specific approval by City Engineer or Planning Commission (see Section IV, Street Designs, A. in these Standards).

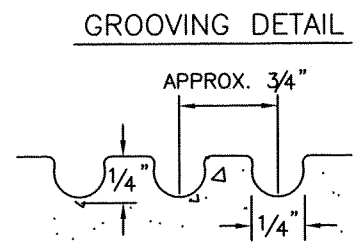
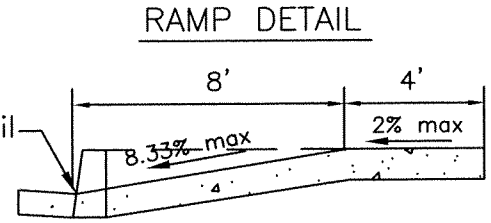
CITY OF SANTA ROSA	
R/W FOR CONTIGUOUS SIDEWALKS	
Scale: NONE	Date: JAN 2004
DWN. SCA CHK.	APPROVED <i>[Signature]</i> FILE NO. STD.- 230G



CITY OF SANTA ROSA		
TYPICAL SIDEWALK OBSTRUCTION TRANSITION		
Scale: NONE		Date: JAN 2004
DWN. SCA CHK.	APPROVED <i>M. Cabrera</i>	FILE NO. STD.- 231



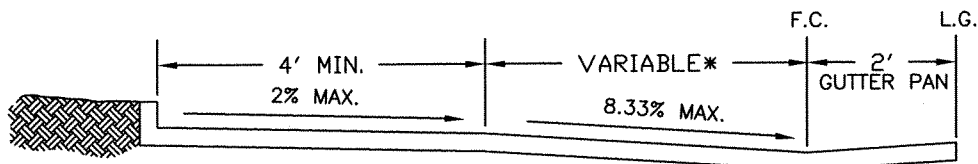
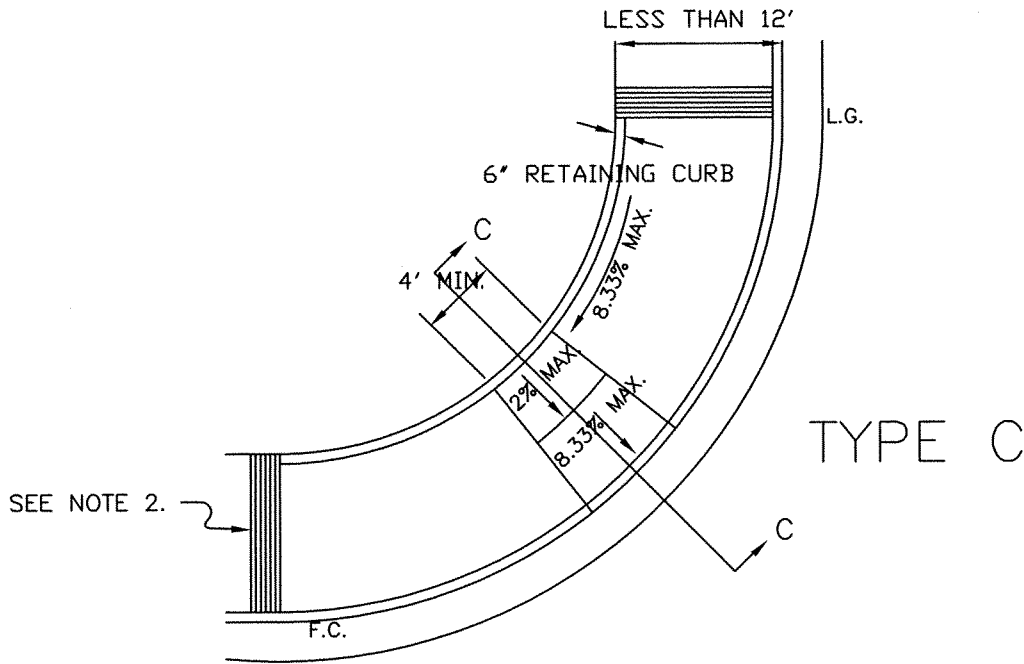
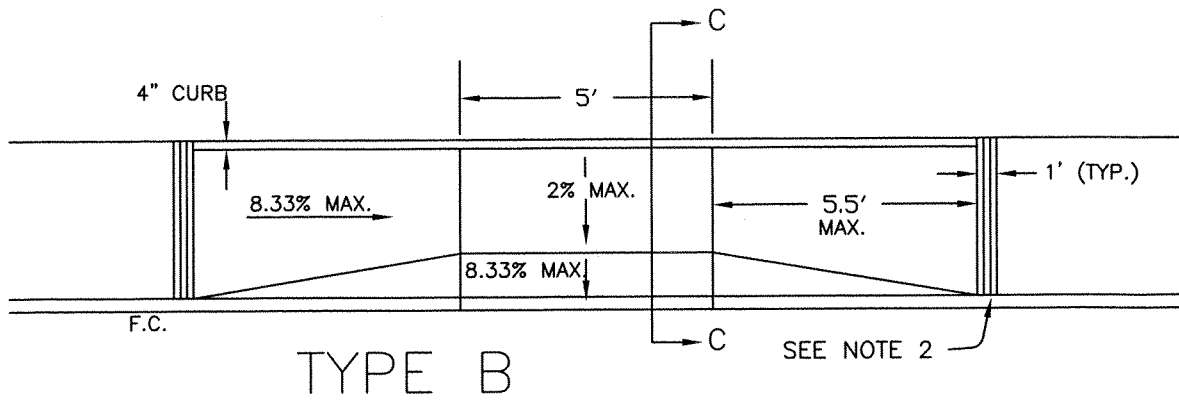
THE BOTTOM OF THE RAMP SHALL HAVE A 1/2" LIP AT 45° ANGLE.



NOTES:

1. DESIGN SHALL CONFORM TO THESE REQUIREMENTS EXCEPT AS OTHERWISE APPROVED BY THE CITY ENGINEER.
2. SEE CITY STD.-240 FOR ADDITIONAL INFORMATION.
3. FOR SUBDIVISIONS WHERE SIDEWALKS ARE NOT REQUIRED FOR STREET IMPROVEMENTS, CURB DEPRESSIONS FOR HANDICAP RAMPS SHALL BE OMITTED.
4. THE SURFACE OF EACH CURB RETURN AND ITS FLARED SIDES SHALL BE SLIP RESISTANT AND SHALL BE OF A CONTRASTING FINISH FROM THAT OF THE ADJACENT SIDEWALK.
5. RAMP TYPE C TO BE USED IN SITUATIONS WHEN 4' MINIMUM LANDING BEHIND RAMP CANNOT BE OBTAINED. THE SLOPE OF CURB RAMP AND FANNED OR FLARED SIDES OF CURB RAMP SHALL NOT EXCEED 12:1

CITY OF SANTA ROSA	
PEDESTRIAN RAMP	
TYPE A	
Scale: NONE	Date: JAN 2004
DWN. SCA CHK.	APPROVED <i>Altaberra</i>
	FILE NO. STD.-232 A

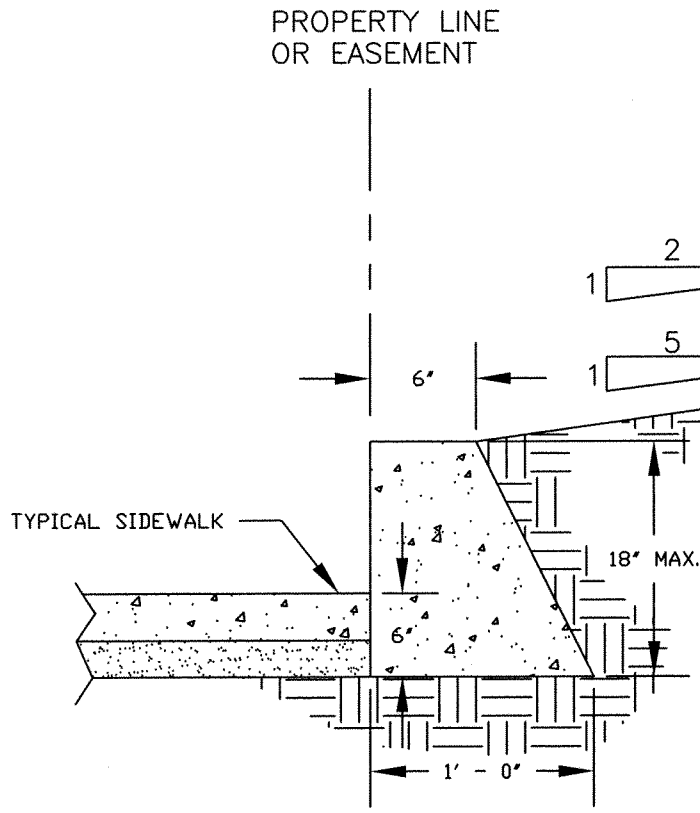


*NOTE: IF SIDEWALK PLUS "VARIABLE" RAMP IS 6' OR LESS, USE STRAIGHT GRADE AT 2% FOR ENTIRE LENGTH OF SIDEWALK AND RAMP.

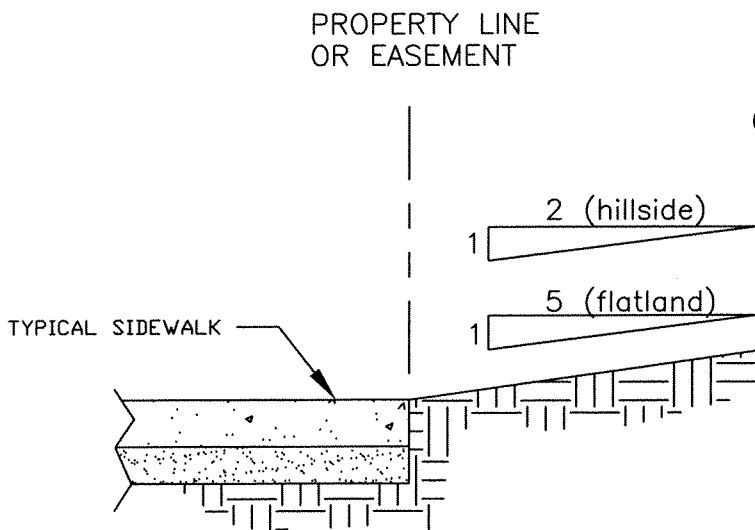
NOTES:

1. RAMP TYPE C TO ONLY BE USED IN SITUATIONS WHERE 4' MINIMUM LANDING BEHIND RAMP CANNOT BE OBTAINED. THE SLOPE OF CURB RAMP AND FANNED OR FLARED SIDES OF CURB RAMP SHALL NOT EXCEED 12:1.
2. LIP AND GROOVING DETAIL SHALL BE PER STD.-232A.
3. SIDEWALK AND RAMP THICKNESS SHALL BE 4".
4. DESIGN SHALL CONFORM TO THESE REQUIREMENTS EXCEPT AS OTHERWISE APPROVED BY THE CITY ENGINEER.

CITY OF SANTA ROSA	
PEDESTRIAN RAMP	
TYPES B AND C	
Scale: NONE	Date: JAN 2004
DWN. SCA CHK.	APPROVED <i>Mabera</i>
FILE NO. STD.- 232 B	



WITH RETAINING WALL



WITHOUT RETAINING WALL

CONFORM AS DIRECTED BY THE CITY ENGINEER & THE BUILDING OFFICIAL.

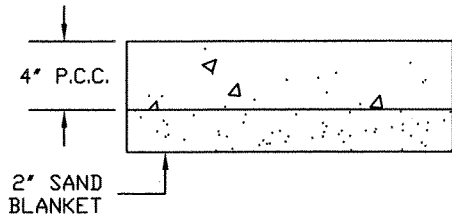
NOTES:

1. DESIGN SHALL CONFORM TO THESE REQUIREMENTS, EXCEPT AS OTHERWISE APPROVED BY CITY ENGINEER.
2. IN FLATLAND AREAS, MAX SLOPE OF GROUND TO BE 5:1 OR FLATTER AS DIRECTED BY THE CITY ENGINEER.
3. IN HILLSIDE AREAS, MAX SLOPE OF GROUND TO BE 2:1 OR LESS AS DIRECTED BY THE CITY ENGINEER.
4. RETAINING WALL TO BE INSTALLED AS PER DIRECTION OF CITY ENGINEER.
5. RETAINING WALL IN HILLSIDES TO BE DESIGNED TO MEET APPROPRIATE STRUCTURAL REQUIREMENTS AND AS APPROVED BY THE CITY ENGINEER.
6. VISION TRIANGLE AT CORNERS OF INTERSECTIONS TO BE AS PER CITY CODE 20.05.820.

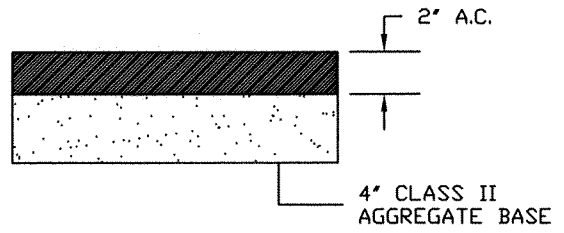
CONFORM AS DIRECTED BY THE CITY ENGINEER & THE BUILDING OFFICIAL.

CITY OF SANTA ROSA			
BACK OF SIDEWALK CONFORMS			
Scale: NONE		Date: JAN 2004	
DWN. SCA	APPROVED	FILE NO.	
CHK.	<i>Alabrera</i>	STD.- 233	

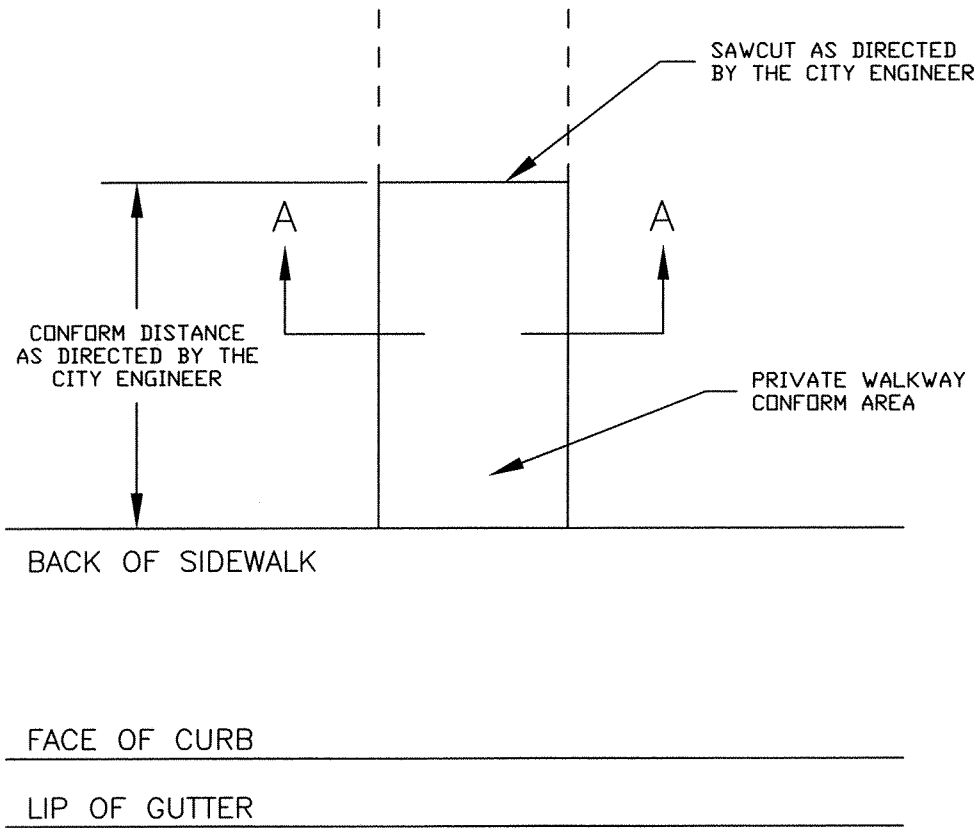
P.C.C. SECTION



A.C. SECTION



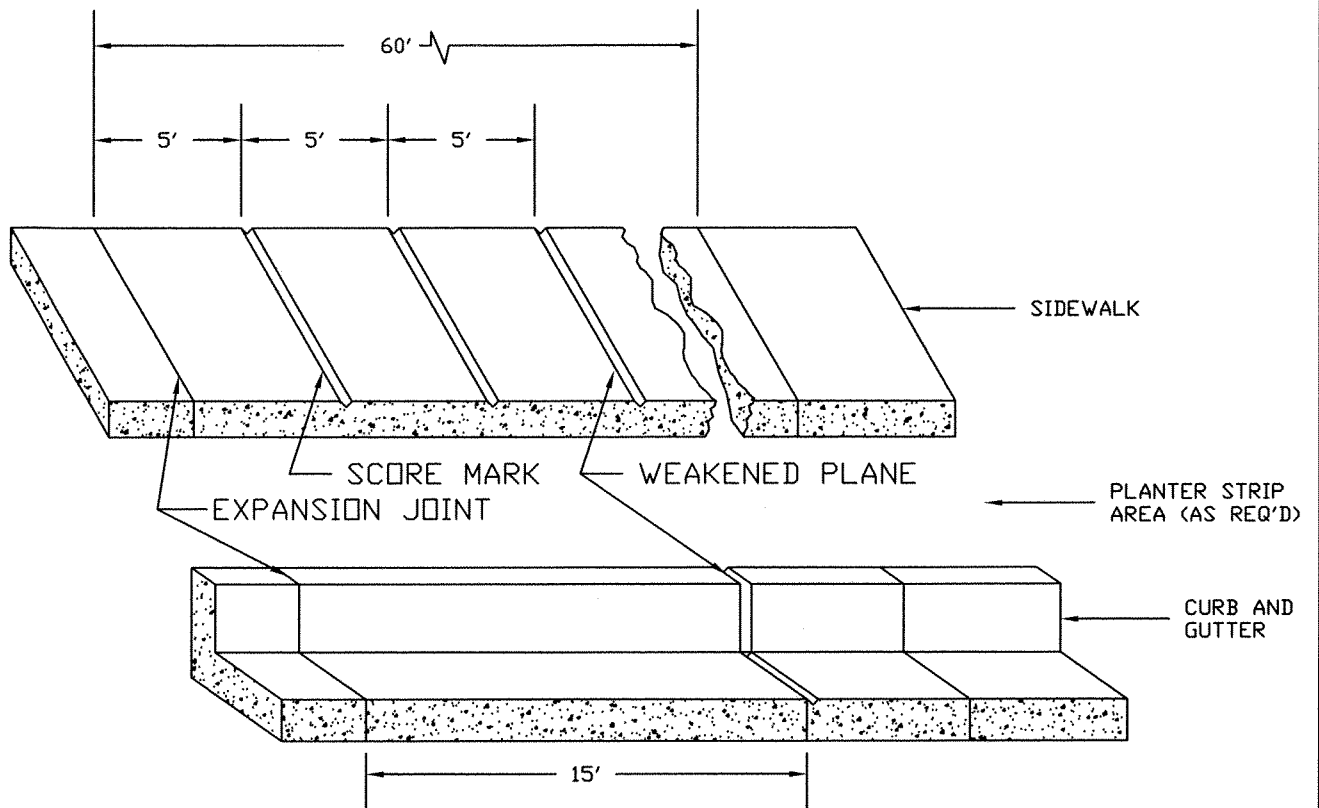
SECTION A-A



NOTES:

DESIGN SHALL CONFORM TO THESE REQUIREMENTS EXCEPT AS OTHERWISE APPROVED BY THE CITY ENGINEER.

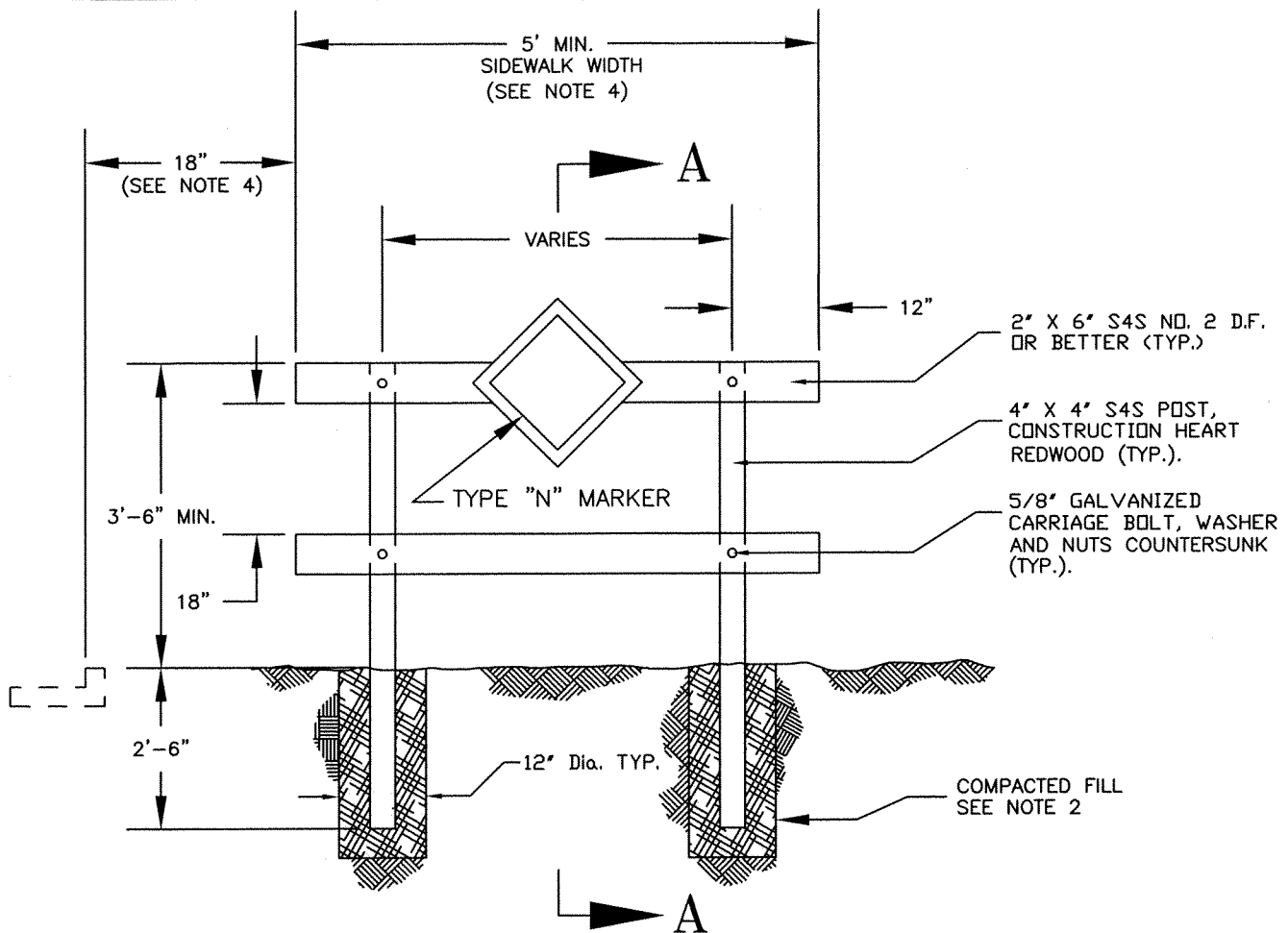
CITY OF SANTA ROSA		
PRIVATE WALKWAY CONFORM		
P.C.C. & ASPHALT CONCRETE		
Scale: NONE		Date: JAN 2004
DWN. SCA	APPROVED	FILE NO.
CHK.	<i>[Signature]</i>	STD.- 234



NOTES:

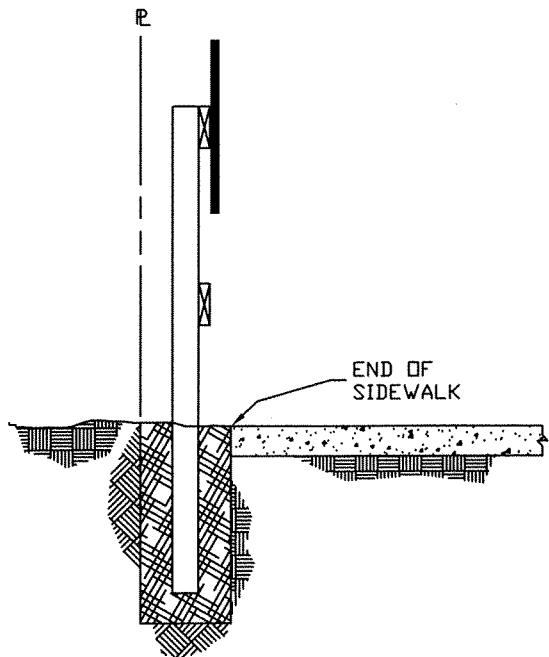
1. WEAKENED PLANE: 1/8" WIDE x 1" DEEP IN SIDEWALKS, 1/8" WIDE X 1 1/2" DEEP IN CURB AND GUTTER.
2. EXPANSION JOINTS MATERIAL TO BE 1/4" THICK PREMOLDED JOINT FILLER FULL THICKNESS OF CONCRETE. APPROVED MECHANICAL JOINTS MAY BE USED IN WALKS IN LIEU OF EXPANSION JOINTS.
3. SCORE MARKS FOR SIDEWALKS 6' & MORE IN WIDTH: LONGITUDINAL SCORE MARK ALONG CENTER OF WALK.
4. EXPANSION JOINTS SHALL BE INSTALLED IN THE CURB & GUTTER AT ALL CURB RETURNS.
5. EXPANSION JOINTS SHALL BE PLACED IN THE SIDEWALK AT THE SAME LOCATION AS THOSE IN THE CURB & GUTTER WHEN THE SIDEWALK IS CURB ADJACENT, UNLESS OTHERWISE DIRECTED BY THE CITY ENGINEER.
6. SIDEWALK SHALL HAVE A 2" BASE OF SAND, 4" OF P.C.C., AND HAVE A 2% SLOPE TOWARDS THE STREET.
7. DESIGN SHALL CONFORM TO THESE REQUIREMENTS EXCEPT AS OTHERWISE APPROVED BY THE CITY ENGINEER.
8. SCORING PATTERN SHOULD MATCH ADJOINING SIDEWALKS.

CITY OF SANTA ROSA		
TYPICAL SPACING WEAKENED PLANES, SCORE MARKS, AND EXPANSION JOINTS		
Scale: NONE		Date: JAN 2004
DWN. SCA CHK.	APPROVED <i>Altebrun</i>	FILE NO. STD.- 235



SIDEWALK BARRICADE

NTS



SECTION A-A

NTS

NOTES:

1. PAINT ALL EXPOSED SURFACES WITH 1 COAT OF PRIMER AND 2 COATS OF GLOSS WHITE EXTERIOR ENAMEL AFTER CONSTRUCTION.
2. POSTS SHALL BE BACKFILLED AND COMPACTED WITH NATIVE SOIL.
3. ALL PORTIONS OF POSTS TO BE INSTALLED BELOW FINISHED GRADE SHALL BE TREATED WITH A WOOD PRESERVATIVE.
4. IF SIDEWALK IS CONTIGUOUS TO CURB, BARRICADE SHALL BE 18" BACK FROM FACE OF CURB.
5. DESIGN SHALL CONFORM TO THESE REQUIREMENTS EXCEPT AS OTHERWISE APPROVED BY THE CITY ENGINEER.

CITY OF SANTA ROSA

SIDEWALK BARRICADE

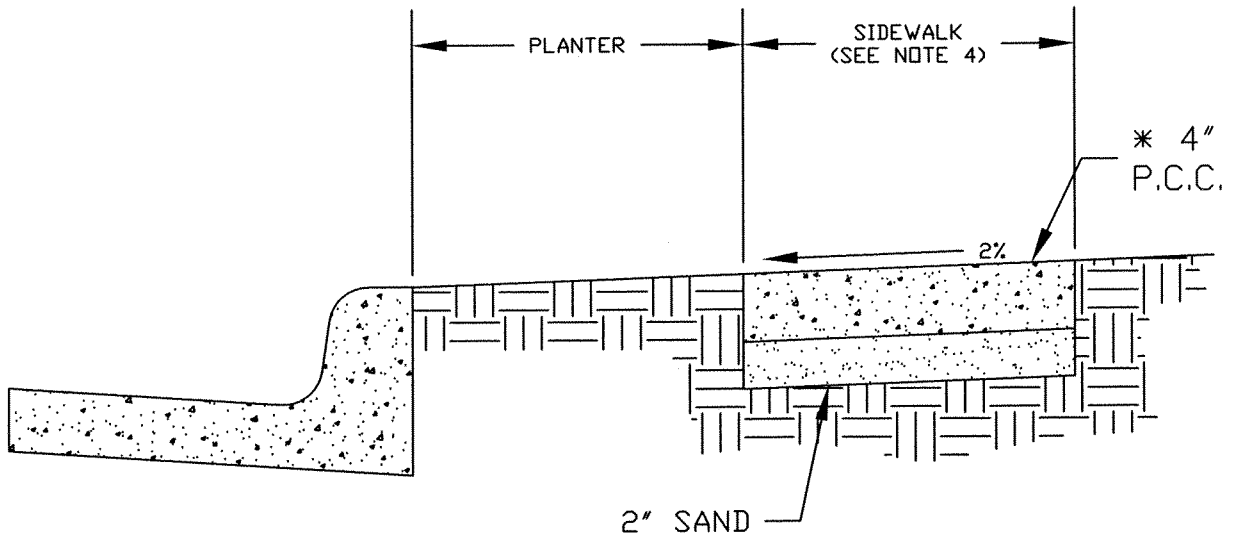
Scale: NONE

Date: JAN 2004

DWN. AJM
CHK.

APPROVED
[Signature]

FILE NO.
STD.- 236



NOTES:

1. JOINTS AND SCORING PER STD.-235.
2. ALL CONCRETE SHALL BE CLASS A P.C.C.
3. * 6" FOR DRIVEWAY AREA.
4. SIDEWALK WIDTH SHALL MATCH EXISTING (UNLESS OTHERWISE CONDITIONED) AND SHALL MEANDER OR WIDEN AT OBSTRUCTIONS TO PROVIDE CLEARANCES AS SHOWN IN CITY STD.- 231.
5. DESIGN SHALL CONFORM TO THESE REQUIREMENTS EXCEPT AS OTHERWISE APPROVED BY THE CITY ENGINEER.

CITY OF SANTA ROSA	
REPLACEMENT OF EXISTING SIDEWALK	
Scale: NONE	Date: JAN 2004
DWN. SCA CHK.	APPROVED <i>McBreen</i>
	FILE NO. STD.-237