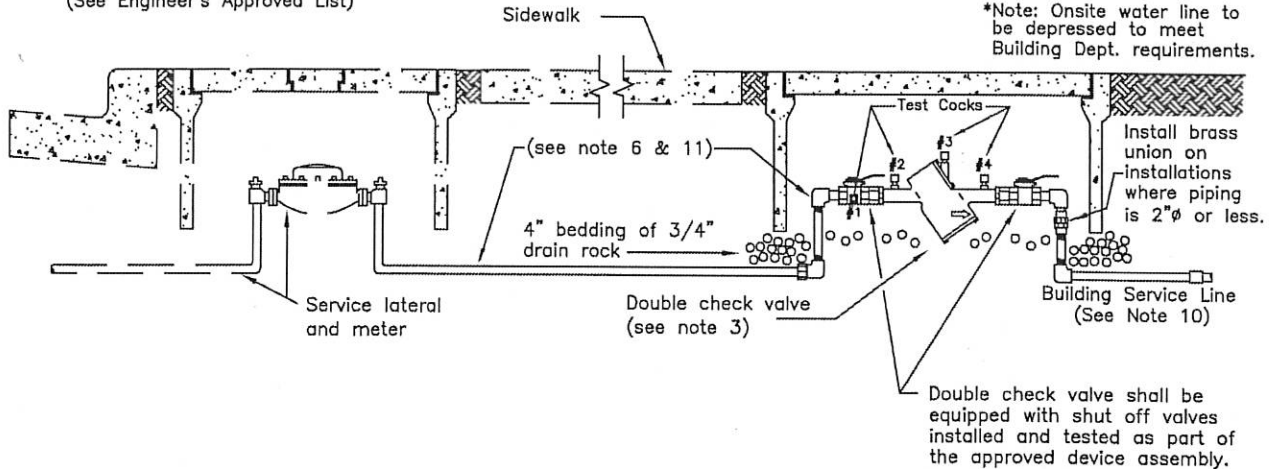


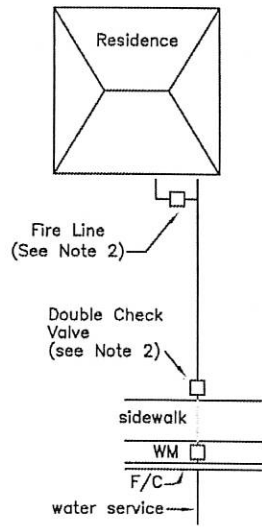
BOXES & COVERS per applicable City Standards (See Engineer's Approved List)



NOTES:

1. Upon written approval by the Water Department Director, this standard applies where there is a proposed residential connection to City water and there also may be an auxiliary water supply onsite, or where, in the opinion of the Water Department, a potential intermediate hazard may exist.
2. Upon written approval by the Fire Department, this standard applies where a residential fire sprinkler system is proposed. When approved, fire line to be installed in accordance with NFPA 13D.
3. Approved double check valve assemblies shall be from the "List Of Approved Backflow Prevention Devices" (Latest Revision) by the University of Southern California Foundation For Cross-Connection Control & Hydraulic Research.
4. Double check valve assemblies shall typically be installed inline with the water meter and just behind existing or proposed sidewalk. Where no sidewalk exists or installation at this location is not practical, assemblies shall be installed as close as possible to the water meter. Any conflicts shall be brought to the attention of the Engineer and final location shall be determined by the Water Department.
5. For 2"φ and smaller use brass compression and/or threaded fittings and threaded nipples. For 3"φ and larger use ductile iron fittings with mechanical joint connections below ground and flanged in the box.
6. Piping between property side shut off and backflow device shall be type "K" soft or hard temper copper for 1"φ and smaller, type "K" hard temper copper for 1-1/2" and 2"φ, and ductile iron for 3"φ and larger. PVC will not be allowed. For all installations this piping shall be the same size as the meter unless otherwise approved by Water Department Engineering.
7. The device shall be centered in the box with a minimum of 2" clear between upper 90° elbows and box. The top of the highest point of the device shall be between 6" and 4" below the lid. Box shall not have "mouse holes" or removed "knock-outs". Installations where mouse holes, broken out sections or cracks have been grouted will be rejected.
8. M.I.P. x F.I.P. 90° elbows (street ells) are not allowed for use on this installation.
9. Provide brass caps or plugs for all test cocks.
10. Minimum 12" long threaded brass nipple for 2"φ and smaller, and 24" long ductile iron pipe for 3"φ and greater.
11. Compression fittings are not allowed on piping inside box

Typical Residential Fire Line Connection Details



This installation allows the connection of the fire line to the domestic supply line near the residence.

CITY OF SANTA ROSA

**BELOW GROUND
DOUBLE CHECK VALVE
BACKFLOW DEVICE**

SCALE: NONE	DATE: Sept 2017
DWN: GC DK	APPROVED: <i>[Signature]</i>
CHK: RS	FILE NO. STD.- 875